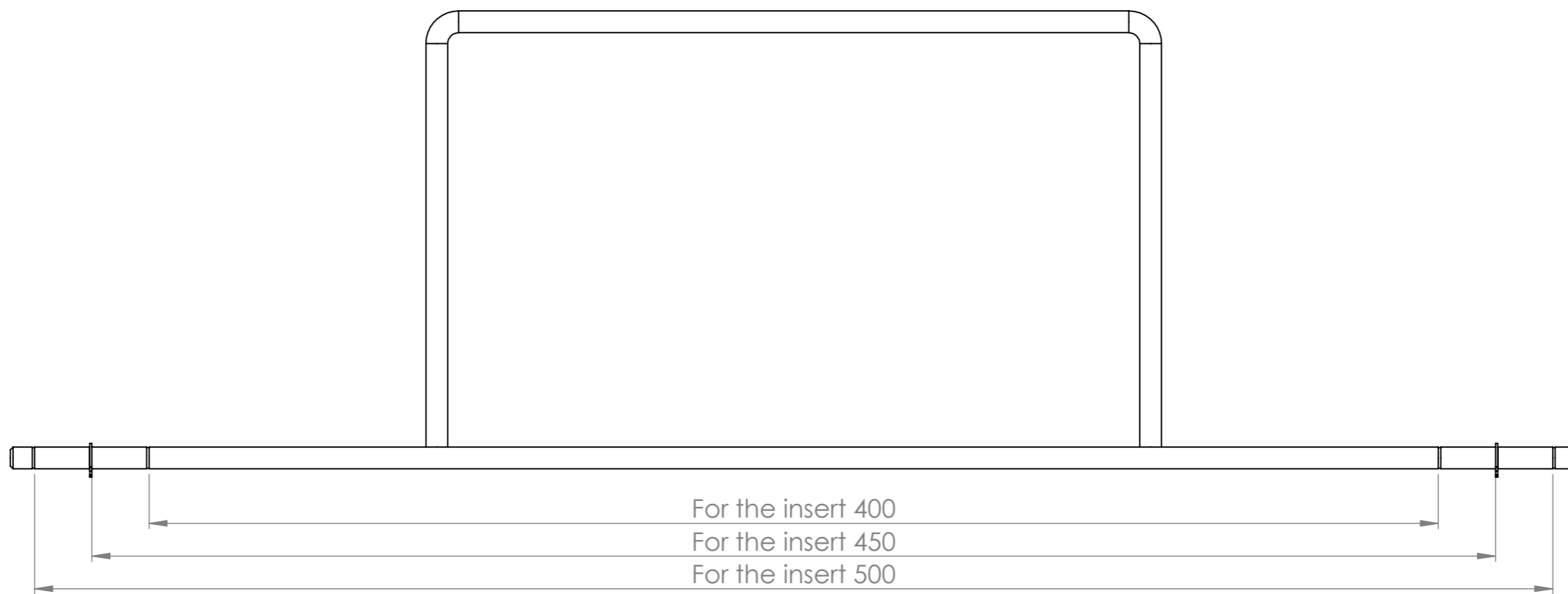
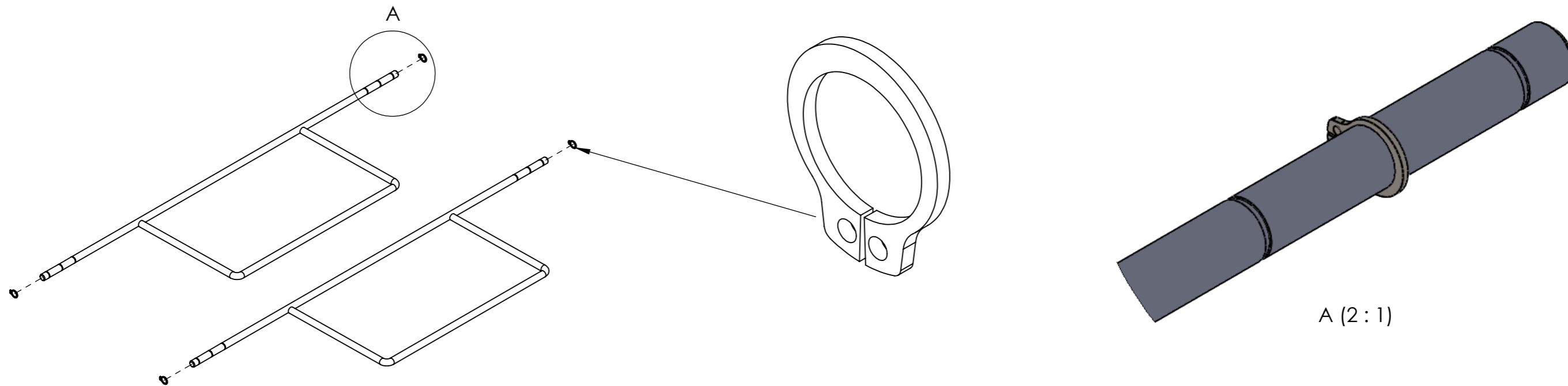


1. Step:

Put the retaining rings on the FM, depend on which insert you want to use



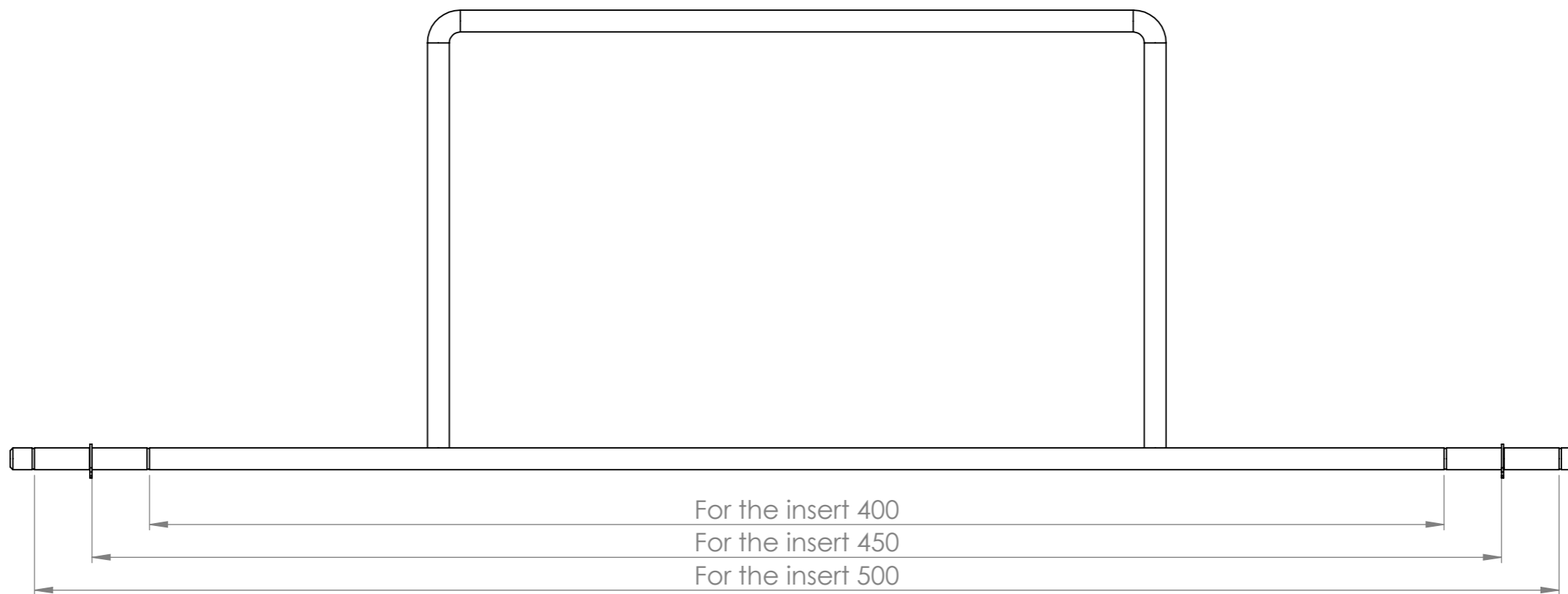
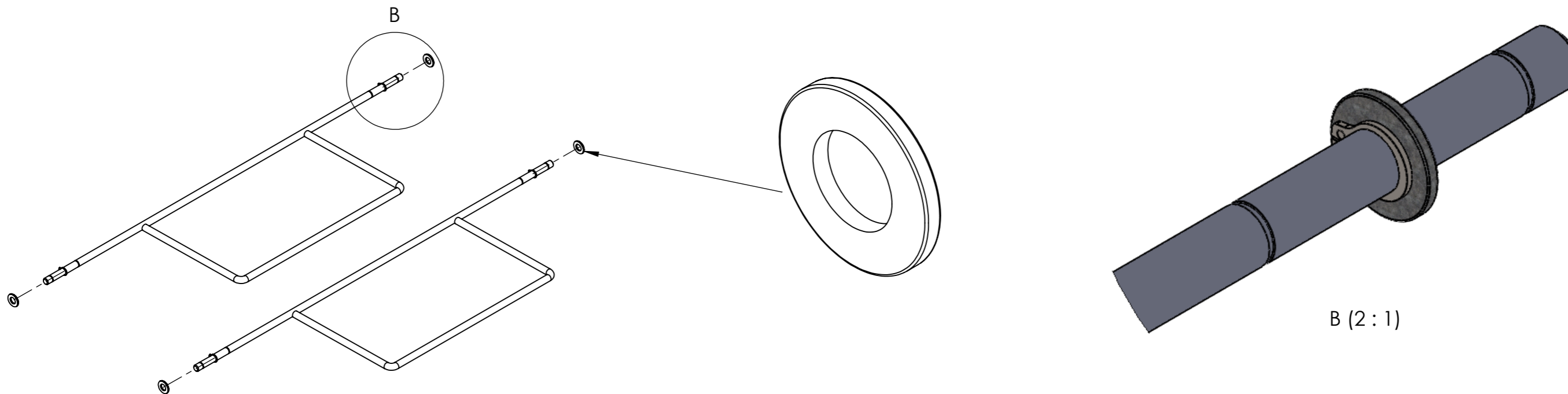
Pottker d.o.o. has the exclusive moral and property rights to this drawing, including right to protect the integrity of this work of authorship and right to commercial exploitation.

Pottker d.o.o. ima isključiva moralna i imovinska prava na ovom tehničkom crtežu, uključujući pravo na zaštitu integriteta ovog autorskog dela i pravo na njegovo ekonomsko iskorišćavanje.

PÖTTKER Transforming furniture	Product/Proizvod:	FR_B-SB_2FM_750x744x67	Page/Strana: SHEET 1 OF 5
	Note/Napomena:	How to assembly	

2. Step:

Put the washers next to the retaining rings



Pottker d.o.o. has the exclusive moral and property rights to this drawing, including right to protect the integrity of this work of authorship and right to commercial exploitation.

Pottker d.o.o. ima isključiva moralna i imovinska prava na ovom tehničkom crtežu, uključujući pravo na zaštitu integriteta ovog autorskog dela i pravo na njegovo ekonomsko iskorišćavanje.

PÖTTKER

Transforming furniture

Product/Proizvod:

FR_B-SB_2FM_750x744x67

Note/Napomena:

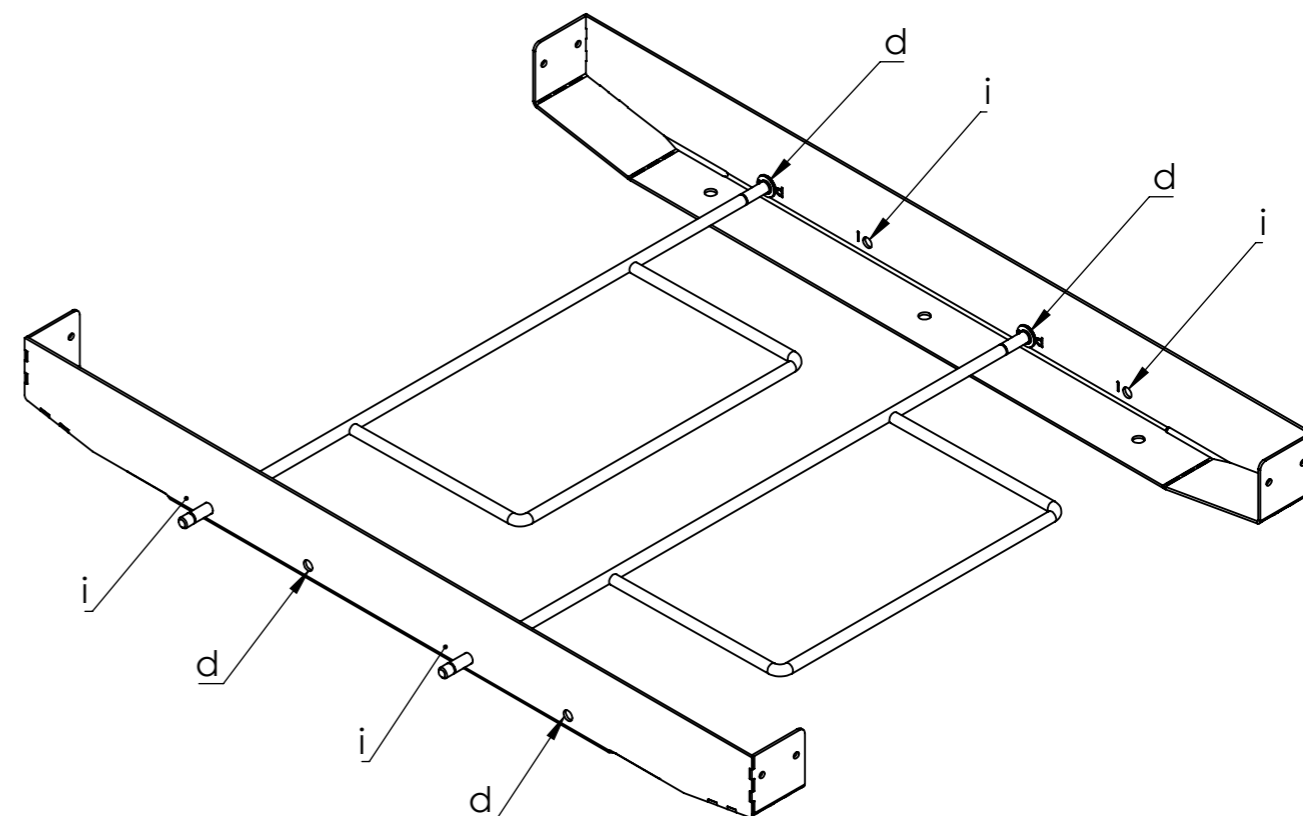
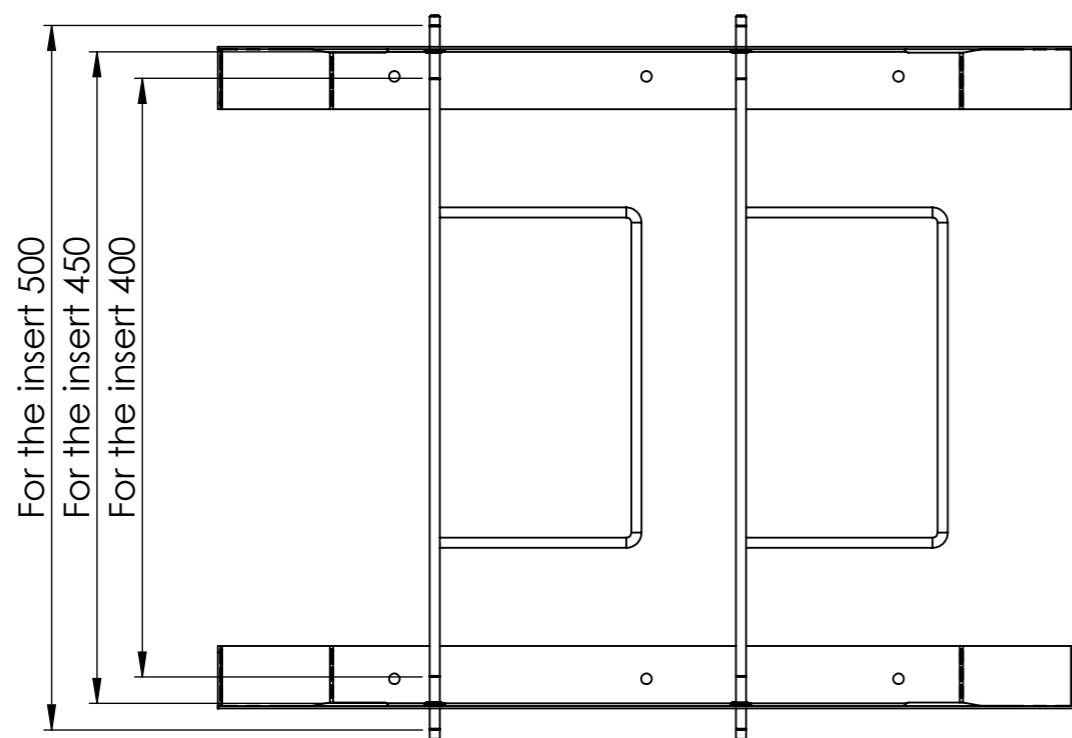
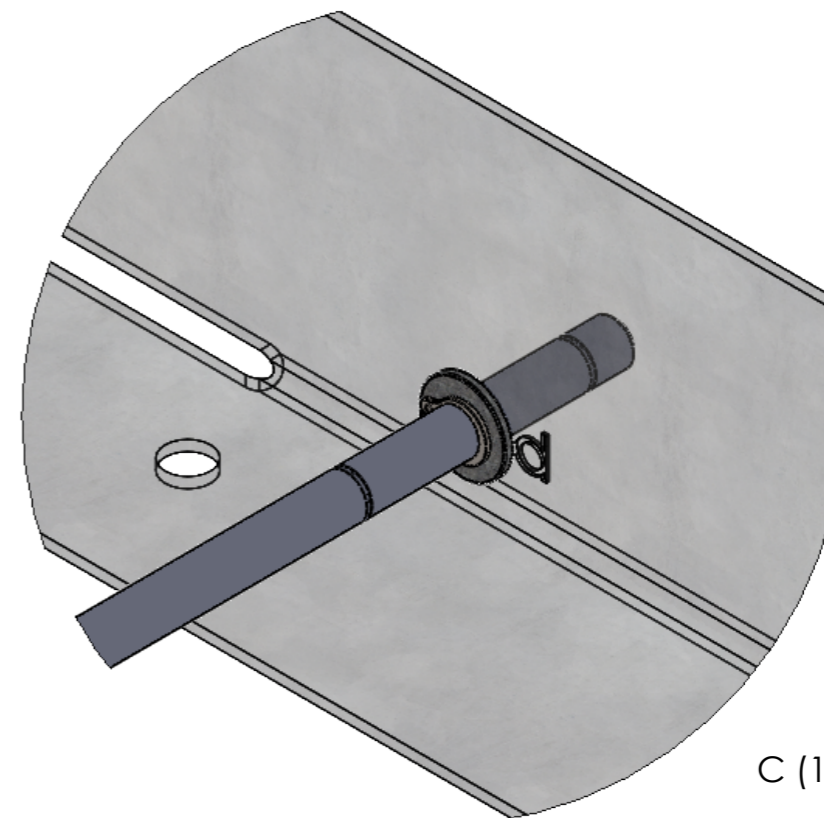
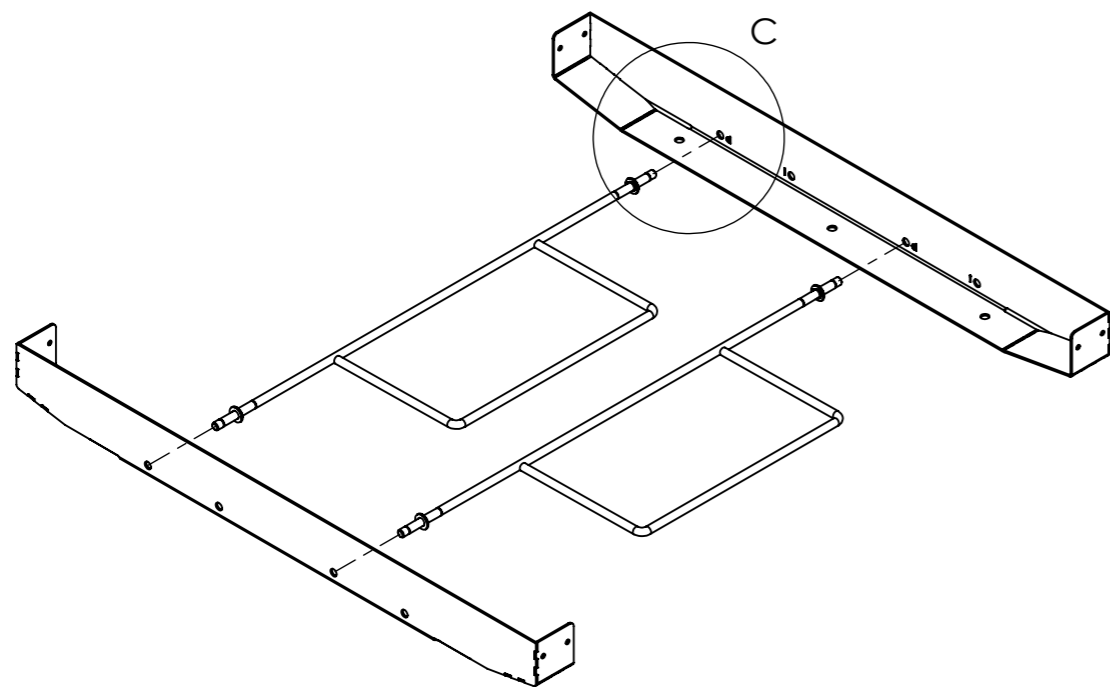
How to assembly

Page/Strana:

SHEET 2 OF 5

3. Step:

Assembly the holders, like shown on the drawing



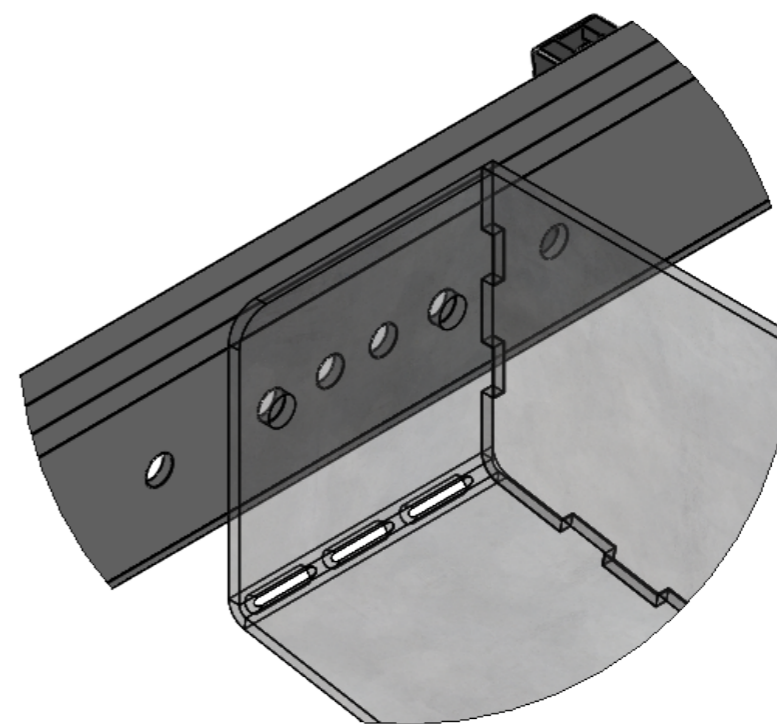
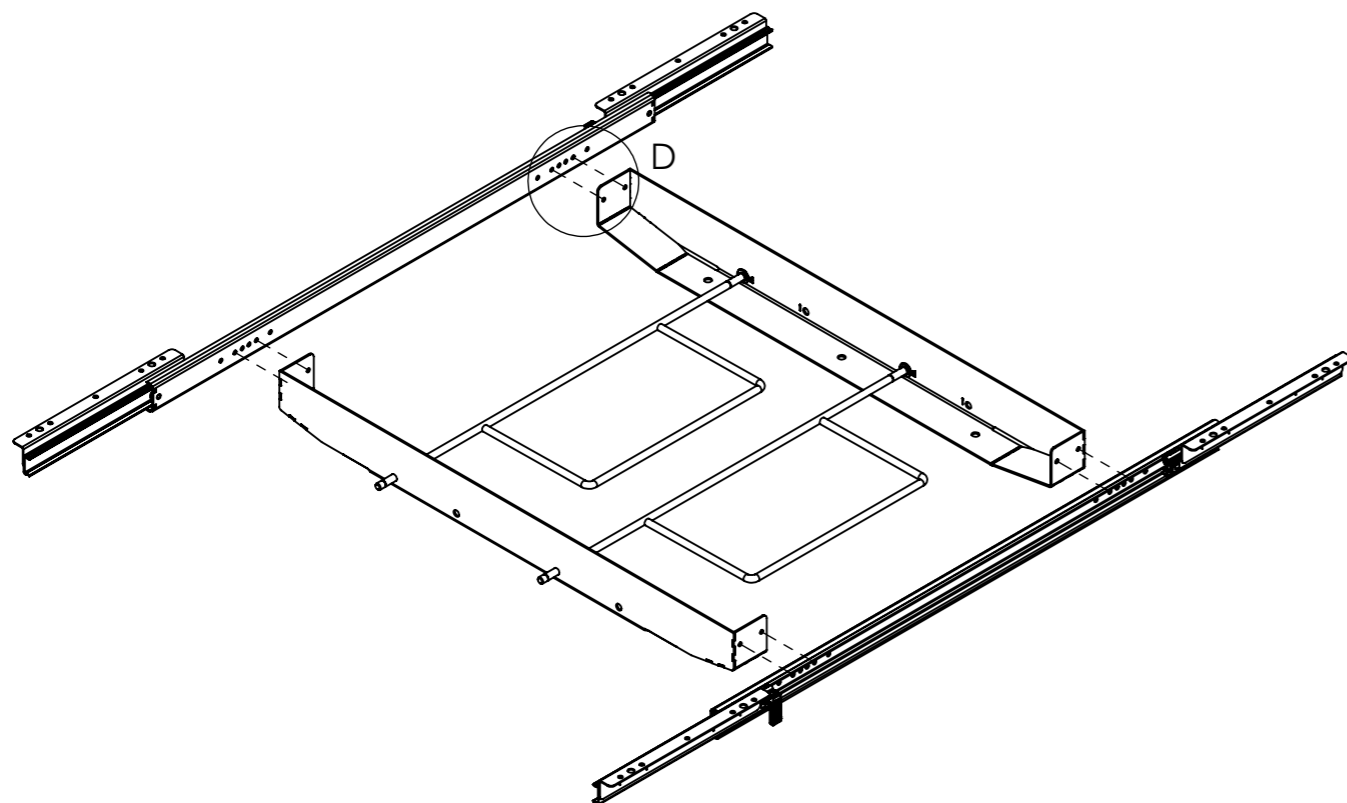
Pottker d.o.o. has the exclusive moral and property rights to this drawing, including right to protect the integrity of this work of authorship and right to commercial exploitation.

Pottker d.o.o. ima isključiva moralna i imovinska prava na ovom tehničkom crtežu, uključujući pravo na zaštitu integriteta ovog autorskog dela i pravo na njegovo ekonomsko iskorišćavanje.

PÖTTKER Transforming furniture	Product/Proizvod: FR_B-SB_2FM_750x744x67	Page/Strana: SHEET 3 OF 5
	Note/Napomena: How to assembly	

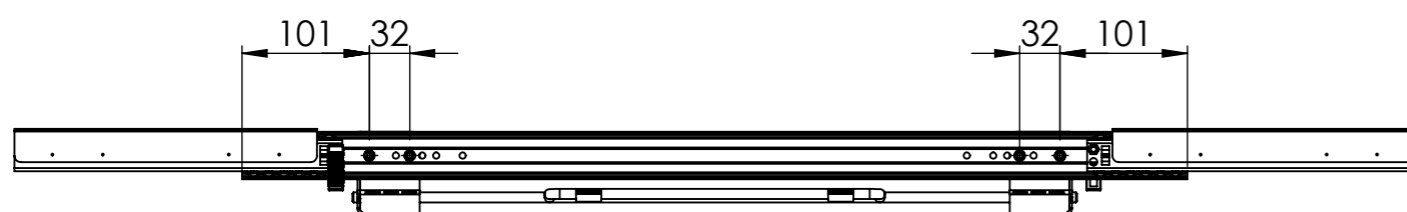
4. Step:

Position the slide for the corresponding holes, like shown in the drawing

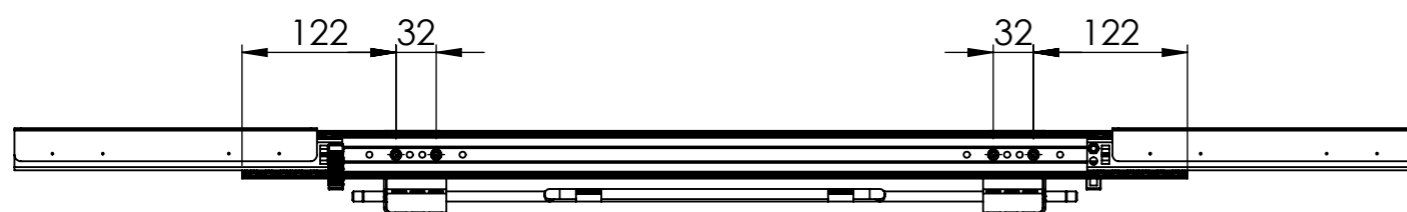


D (1 : 1)

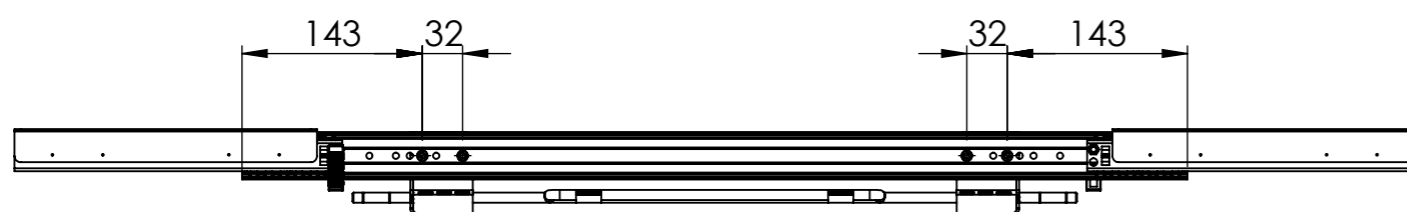
Slide opened pos.



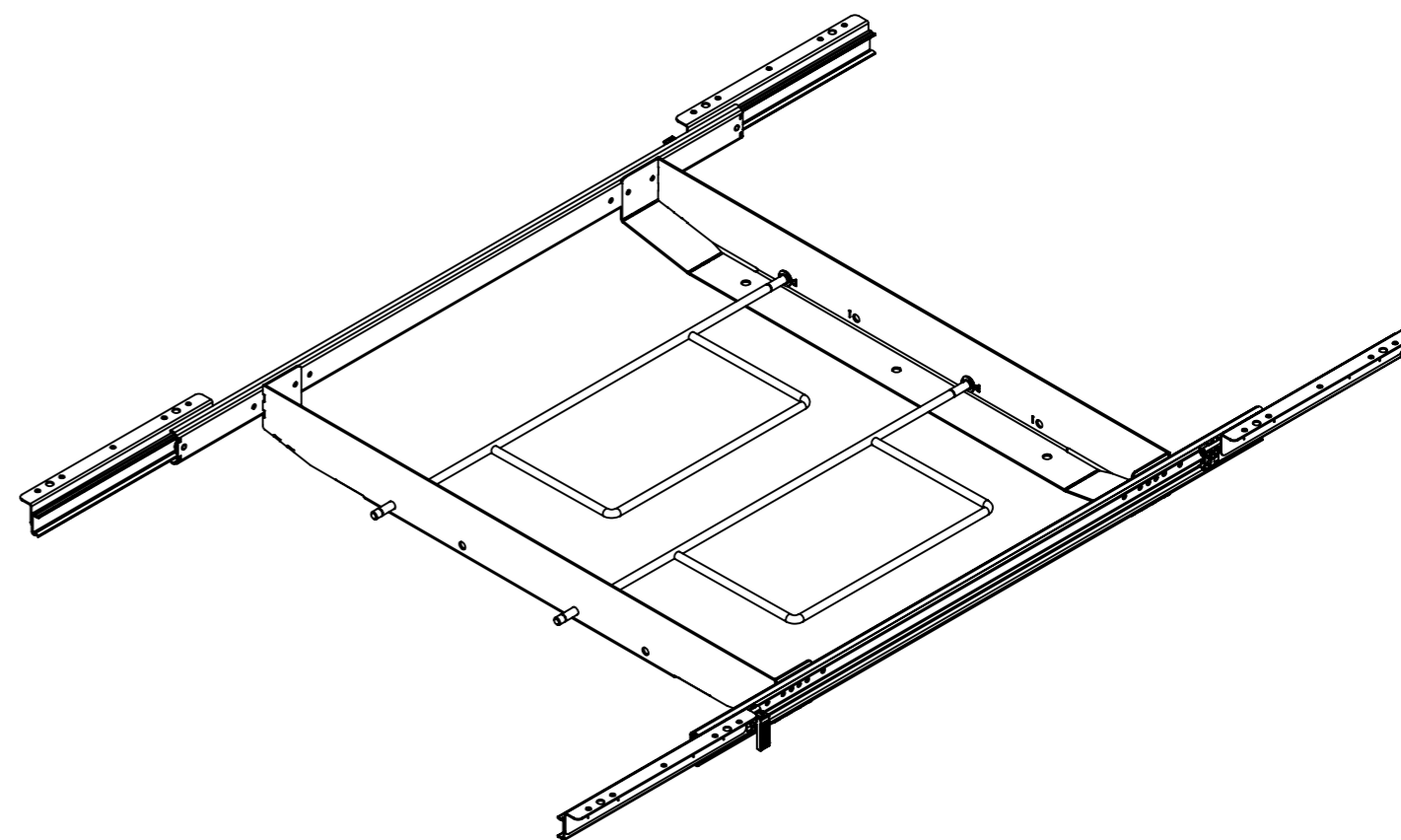
For insert 500



For insert 450



For insert 400



PÖTTKER

Transforming furniture

Product/Proizvod:

FR_B-SB_2FM_750x744x67

Note/Napomena:

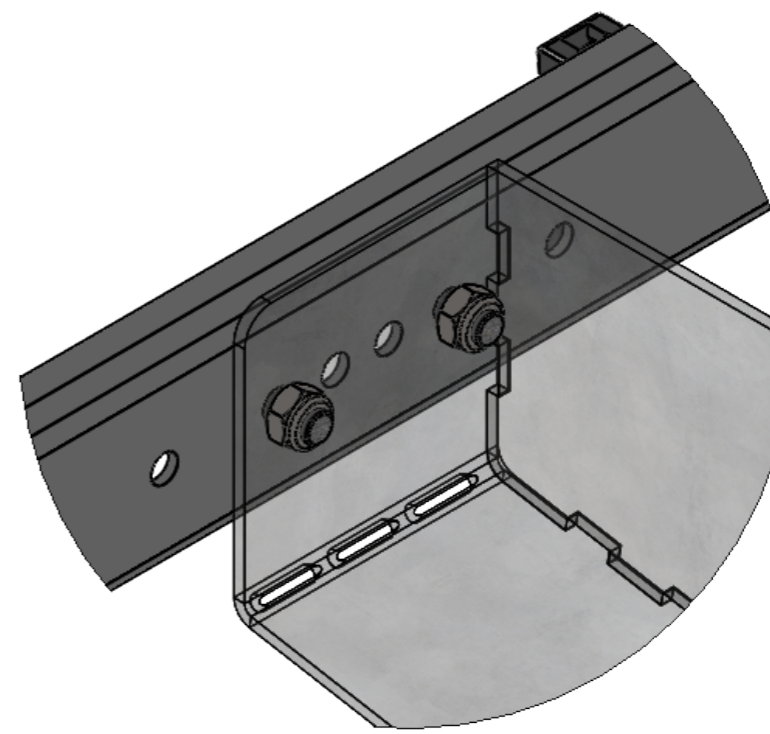
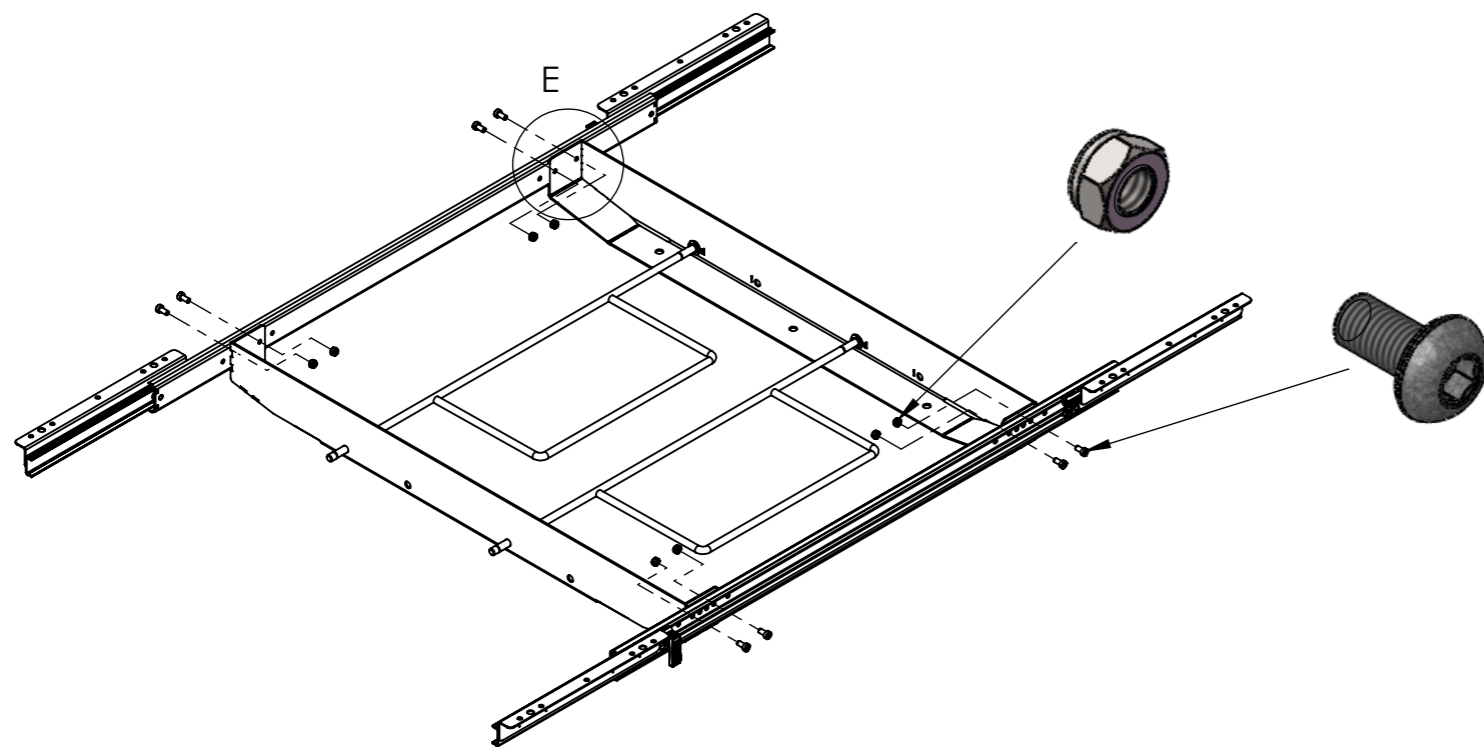
How to assembly

Page/Strana:

SHEET 4 OF 5

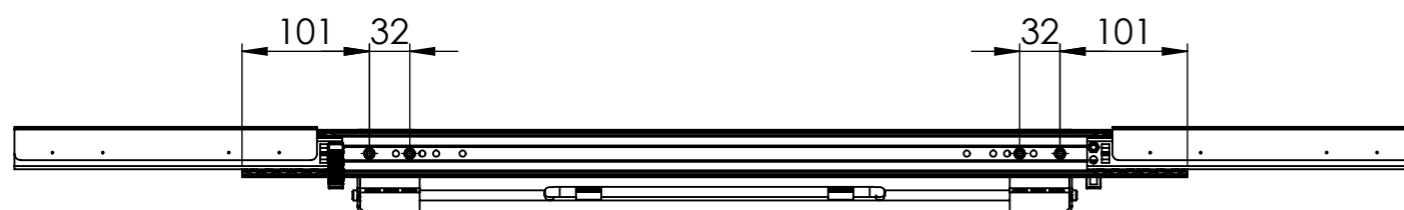
5. Step:

Tighten the bolt and nut as shown in the drawing



E (1 : 1)

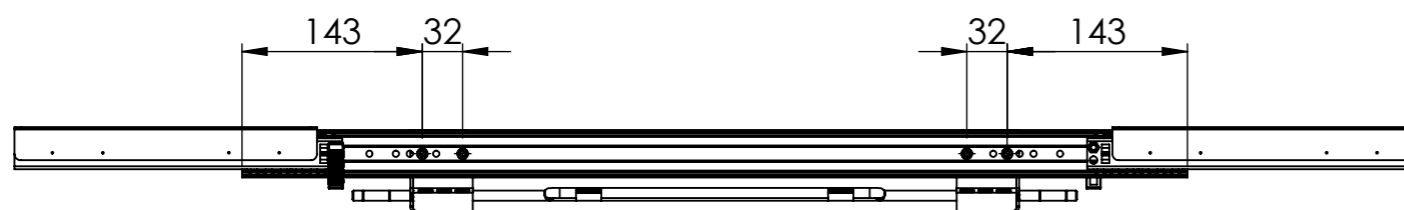
Slide opened pos.



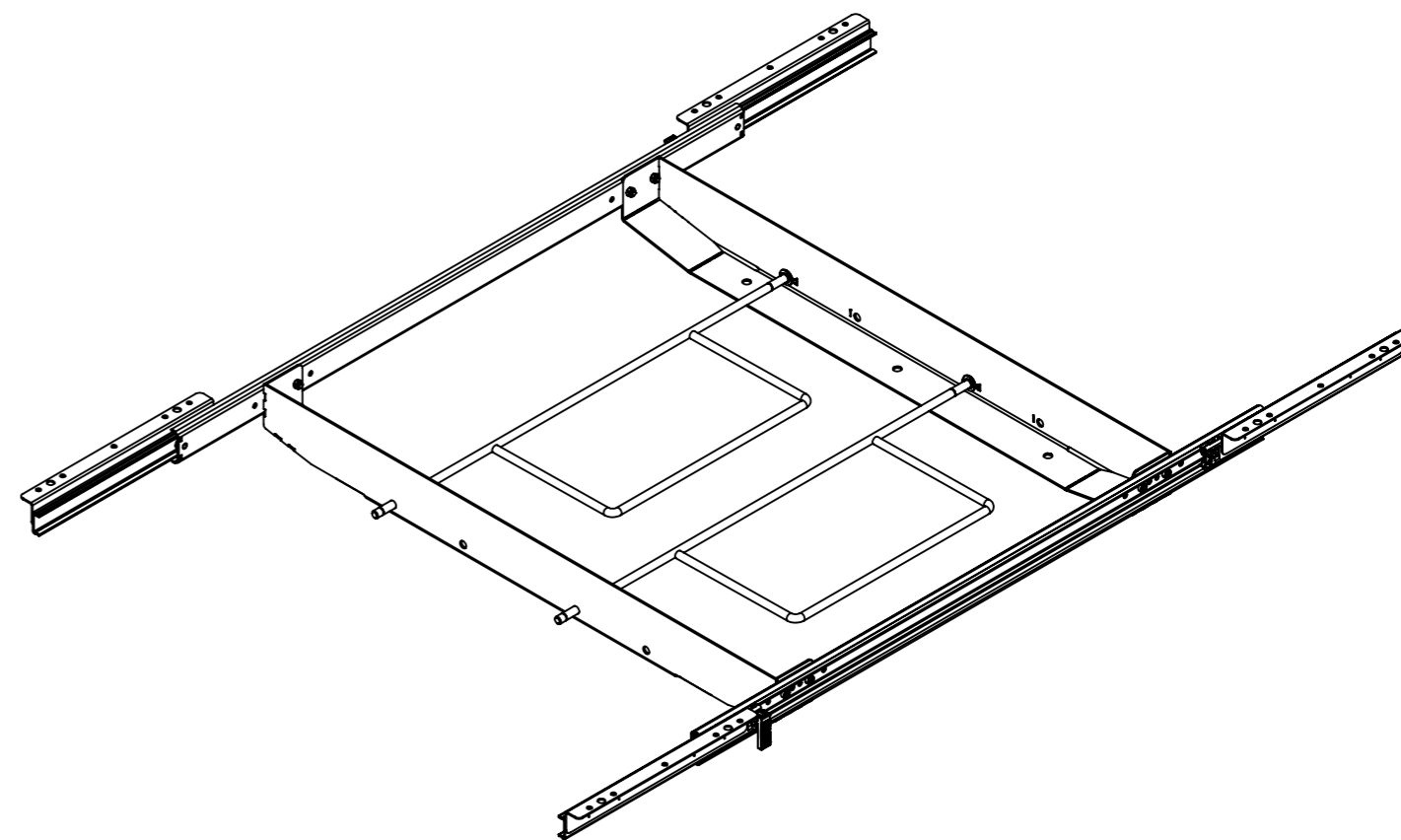
For insert 500



For insert 450



For insert 400



PÖTTKER

Transforming furniture

Product/Proizvod:

FR_B-SB_2FM_750x744x67

Note/Napomena:

How to assembly

Page/Strana:

SHEET 5 OF 5